

INSTRUCTIONS FOR INSTALLING A COIN BLOCK REPLACEMENT KIT IN A NATIONAL VENDORS® , CROWN SEVENTY TWO® , SERIES AND GOLDEN FURNITURE LINE ECM-72, 21CE-72, 22M-72, EPM-72, FM-72, HCM-72, MM-72, CM-72, PM-72, HCM-72C, ECM-72 (SNACK), MERCHANDISER

These instructions cover the replacement procedures for the Coin Block replacement in a Crown Seventy Two Series and Golden Furniture Line, ECM-72, 21CE-72, 22M-72, EPM-72, FM-72, CM-72, PM-72, HCM-72C, ECM-72 (SNACK), HCM-72, MM-72, Merchandiser.

Read these instructions carefully and thoroughly before proceeding with the actual removal and replacement procedures. Retain the instructions for part number and replacement information. Kit 117-2232 contains the following parts:

Part Number	Description	Quantity
130-2453	Coin Block	1
117-2228	Coin Block	1
230-2053	Cup Spacer	2
9900-106	No.8-32 x 3/8" Acorn Hex Head S/T Screw	2
117-2233	Installation Instructions * * *	1

TO INSTALL THE KIT:

FOR REMOVAL AND INSTALLATION INSTRUCTIONS SEE FIGURE 1.

A. PARTS REMOVAL

1. Open the Merchandiser Cabinet Door.
2. Remove the Coin Return Knob Spring from the Extension Assembly and the Coin Return Knob Plate.

NOTE

1. *Be prepared to remove the Scavenger Bar Guide immediately after removing the Extension Assembly.*
2. *Retain the two screws, which attach the Extension Assembly to the Coin Return Knob, for use in Part B, Parts Replacement.*
3. *The shape of the Extension Assembly may differ in the various Merchandisers covered by this Kit. These differences will not affect the removal or replacement of the parts included in this Kit.*
3. Remove the two screws and the Extension Assembly from the Coin Return Knob.

4. Remove the Scavenger Bar Guide from the Cabinet Door.

NOTE

1. *Be prepared to remove the Coin Return Knob immediately after removing the Coin Return Knob Plate.*
2. *Retain the four screws, which attach the Coin Return Knob Plate to the bosses on the Coin Insert Casting, for use in Part B, Parts Replacement.*
5. Remove the four screws and the Coin Return Knob Plate from the bosses on the Coin Insert Casting.
6. Remove the Coin Return Knob from the Coin Insert Casting.
7. Remove the two screws, Cup Spacers, and the Coin Block from the bosses on the Coin Insert Assembly.

B. PARTS REPLACEMENT

NOTE

Coin Block, part number 117-2228, is to be installed on Series and Golden Furniture Line Style Merchandisers.

Coin Block, part number 130-2453, is to be installed on Imperial Crown, Designer Series and Golden II Style Merchandisers. See Figure 1.

1. Position the replacement Coin Block, part number 117-2228 or part number 130-2453, included in the kit on the bosses of the Coin Insert Assembly.
2. Adjust the replacement Coin Block. Figure 2 shows the three Coin Block positions for Series and Golden Furniture Line Merchandisers. Figure 3 does the same for Imperial Crown, Designer Series and Golden II Merchandisers.
3. Attach the replacement Coin Block with two No.8-32 x 3/8" Acorn Hex Head, Self Tapping Screws, Part Number 9900-106, and two Cup Spacers, Part Number 230-2053, all included in the Kit, to the bosses on the Coin Insert Assembly.

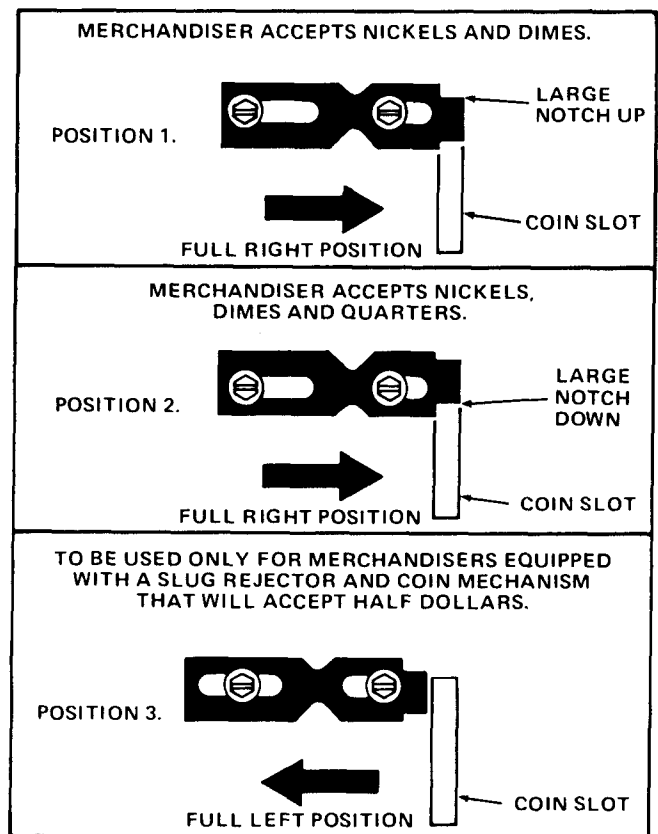
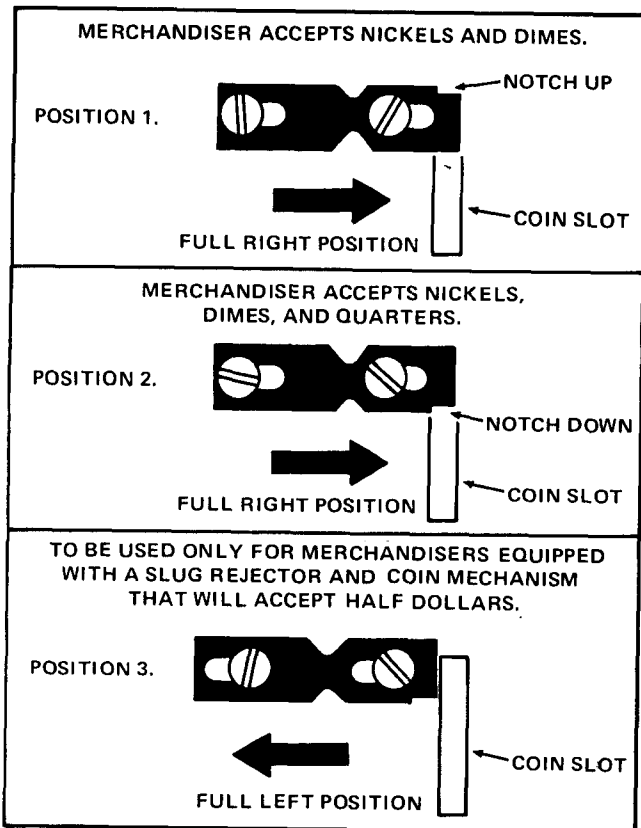
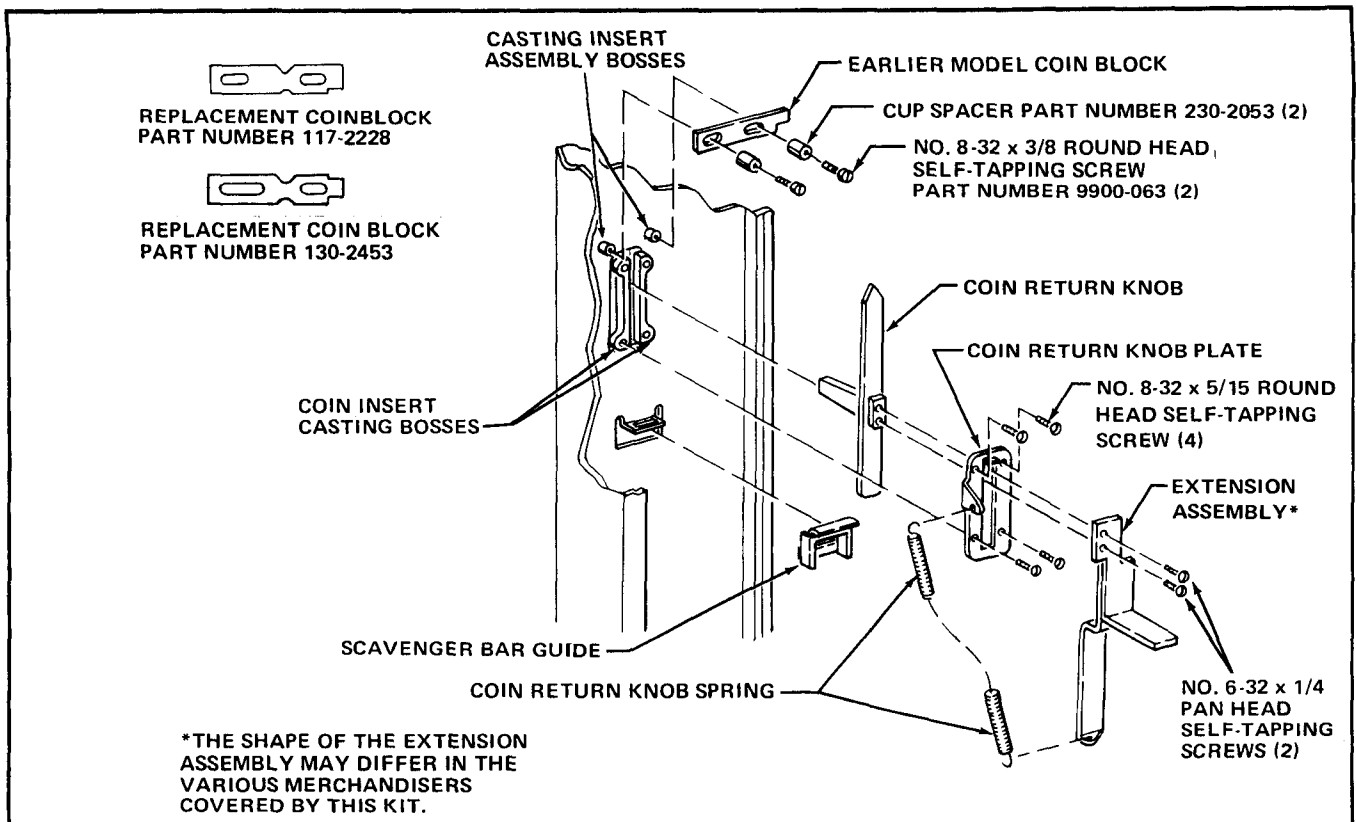


FIGURE 3

4. Insert the Coin Return Knob into the Coin Insert Casting.
5. Attach the Coin Return Knob Plate to the bosses on the Coin Insert Casting with the four screws retained from Part A, Step 5.
6. Install the Scavenger Bar Guide in the Cabinet Door.
7. Attach the Extension Assembly to the Coin Return Knob with the two screws retained from Part A, Step 3.
8. Connect the Coin Return Knob Spring to the Extension Assembly and to the Coin Return Knob Plate.
9. Close the Merchandiser Cabinet Door and test the Coin Blockout with coins.